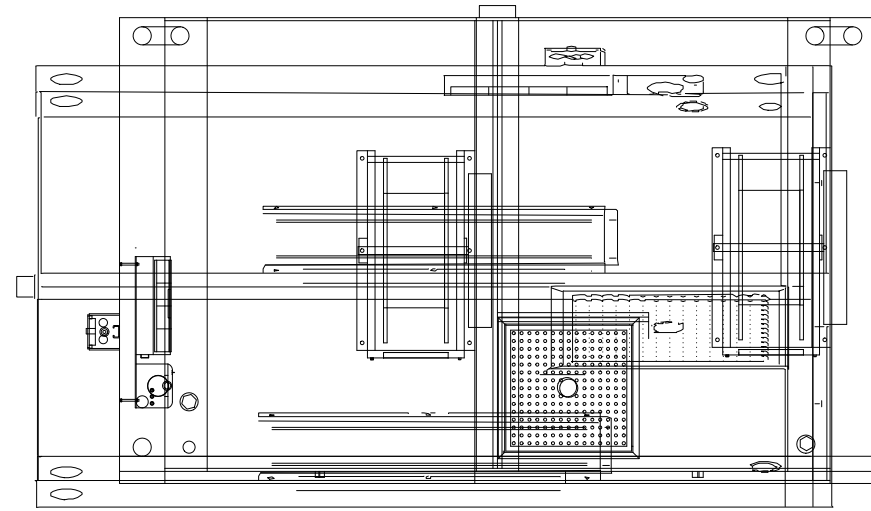
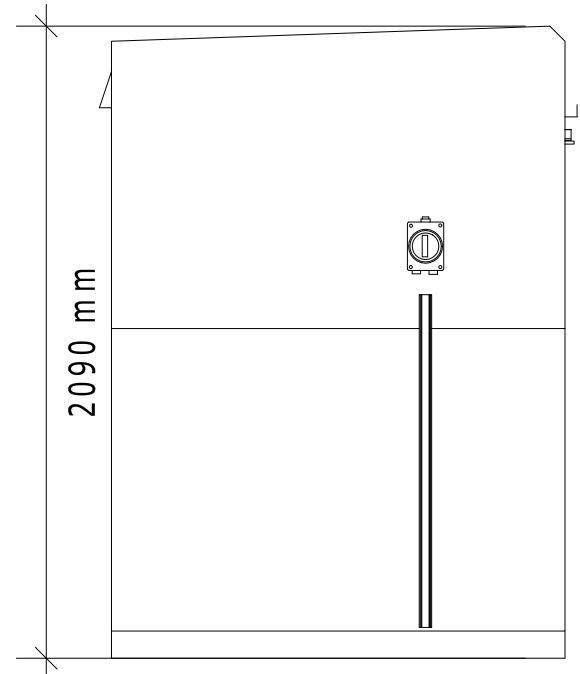


1. DETAIL SHOWN HAS BEEN TAKEN FROM UK  
 BUNDED FUEL TANKS LTD, FILE REF: 'HW  
 Energy waste oil duel compartment 1.5 1.5K'.PDF.



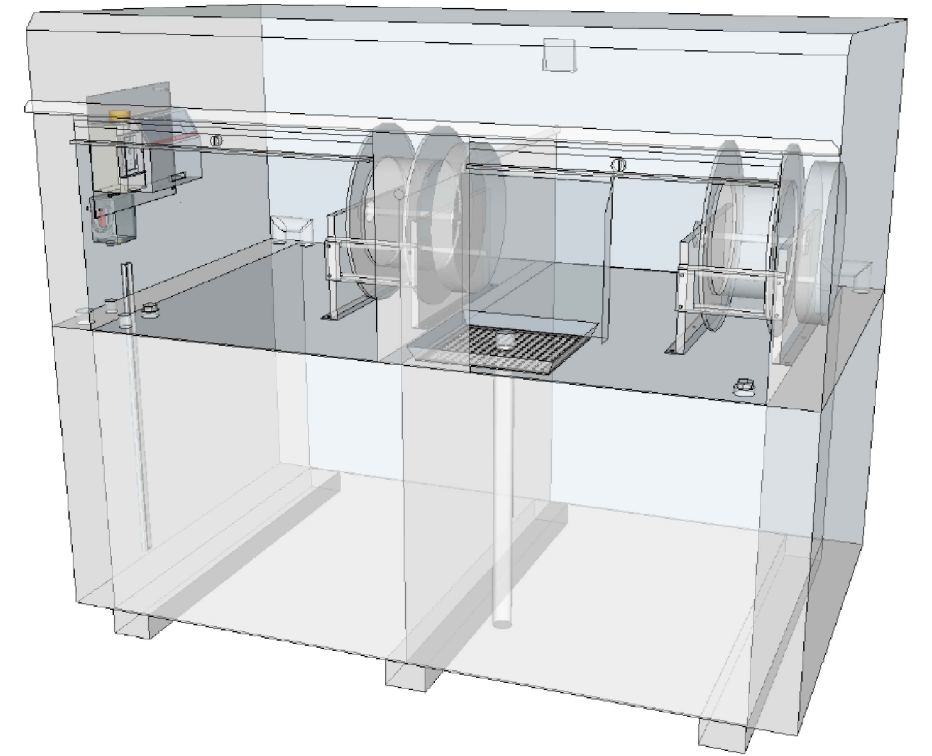
PLAN VIEW



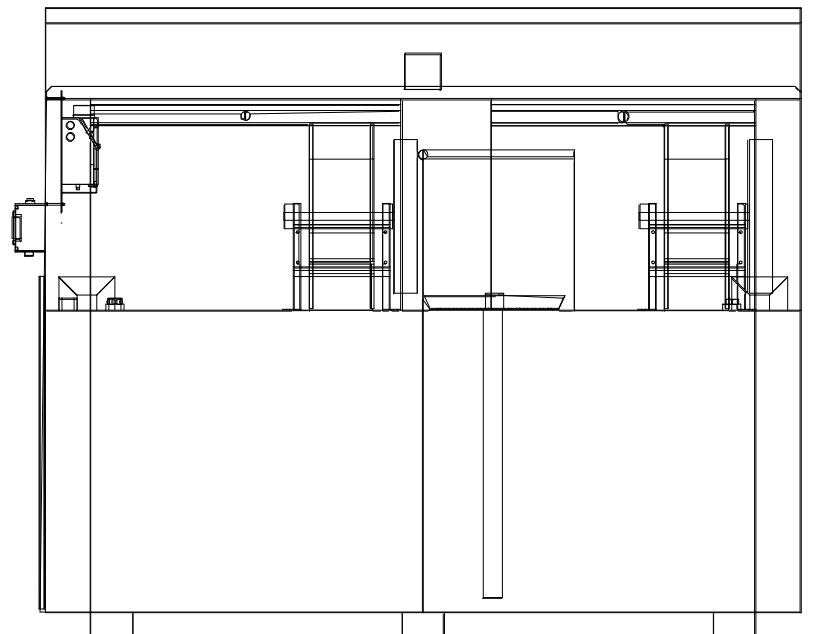
2090 mm

1500 mm

END VIEW

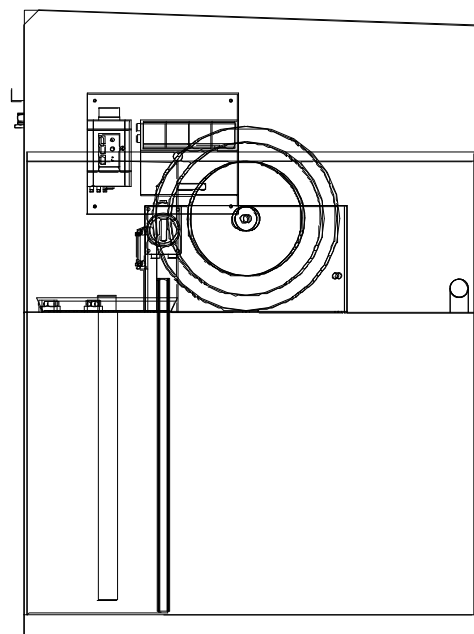


**EXAMPLE OF COMBINED CLEAN AND WASTE OIL  
 STORAGE TANKS**

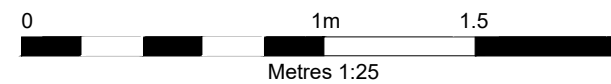


2500 mm

FRONT VIEW



END VIEW



SUITE 5, BRINDLEY COURT  
 GRESLEY ROAD  
 SHIRE BUSINESS PARK  
 WORCESTER WR4 9FD  
 T: +44 (0)1905 751310  
 F: +44 (0)1905 751311  
 www.slrconsulting.com

LAND AT THE NORTH EAST SIDE OF  
 TAME STREET, STALYBRIDGE, SK15 1ST

TAME POWER  
 URBAN GRID SUPPORT

**COMBINED OIL STORAGE TANK -  
 PLAN AND ELEVATIONS**

**TAM-09**

Scale AS SHOWN

Date AUGUST 2021

08071.00001.00076.16.TAM-09.0 Combined Oil Storage Tank - Plan and Elevations.dwg